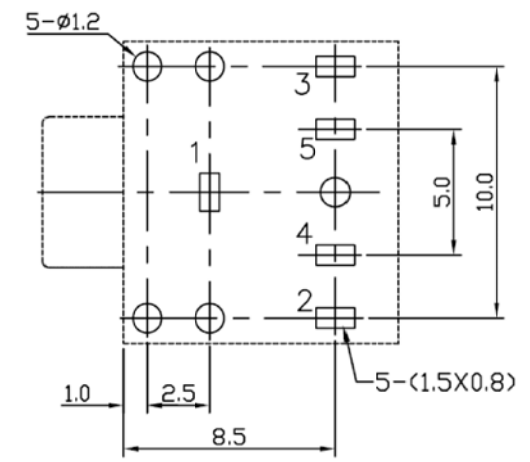
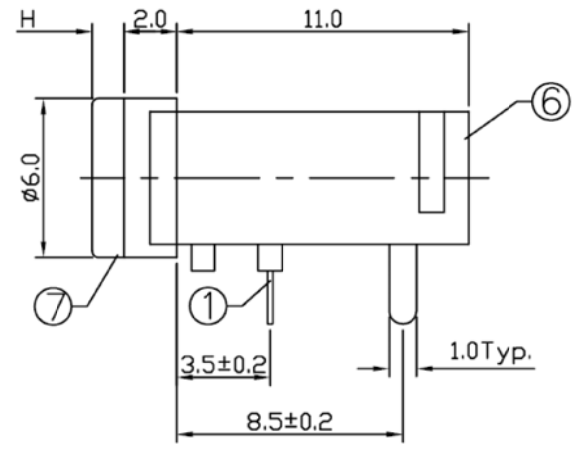
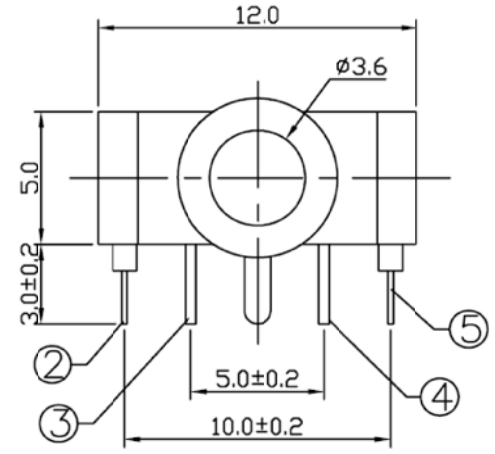
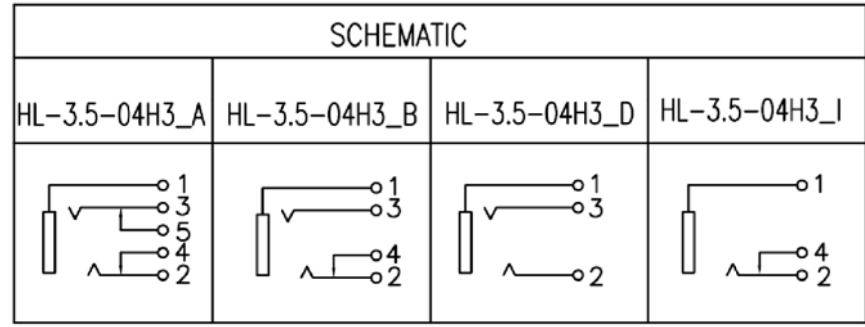


REV.	DESCRIPTION	DATE	DWN	APVD
1	PRELIMINARY	18NOV09	JC	BC



T:1.6 Dimensions of PC board holes
Tolerance : ±0.1(Printed-top view)

7	AXIS SUPPORT	1	H59 BRASS	MB:Cu	Ni	PLATED
6	HOUSING	1	PBT/PA66/ABS			
5	5# CONTACT FOOT	1	BRONZE/65Mn STEEL	MB:Cu	Ag	PLATED
4	4# CONTACT FOOT	1	H62 BRASS	MB:Cu	Ag	PLATED
3	3# CONTACT FOOT	1	H62 BRASS	MB:Cu	Ag	PLATED
2	2# CONTACT FOOT	1	BRONZE/65Mn STEEL	MB:Cu	Ag	PLATED
1	1# CONTACT FOOT	1	PHOSPHOR BRONZE	MB:Cu	Ag	PLATED
LTR	PART NAME	QTY	MATERIAL	REMARK		



UNLESS OTHERWISE SPECIFIED, TOLERANCE ON DECIMAL: ±0.3

PJ05SN
PART NUMBER

TOLERANCES UNLESS OTHERWISE SPECIFIED: 0 PLC ± - 1 PLC ± 0.3 2 PLC ± 0.15 3 PLC ± 0.1 4 PLC ± - ANGLES ± 3°	DWN	18NOV2009	HAOGUO XING YE SHARE CO.,LTD. MINIATURE JACK 黑色 全塑
	CHK	18NOV2009	
	APVD	18NOV2009	
	PRODUCT SPEC		
MATERIAL	SEE NOTE	APPLICATION SPEC	
FINISH	SEE NOTE	WEIGHT	- GRAMS
PROJECTION		DIMENSIONS:	MM
		SIZE	A3
		DRAWING NO	-
		RESTRICTED TO	-
		CUSTOMER DRAWING	SCALE - SHEET 1 of 1 REV 1