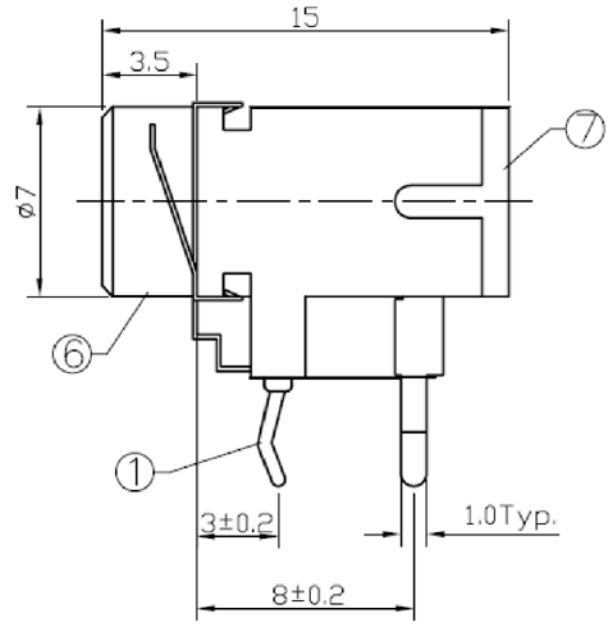
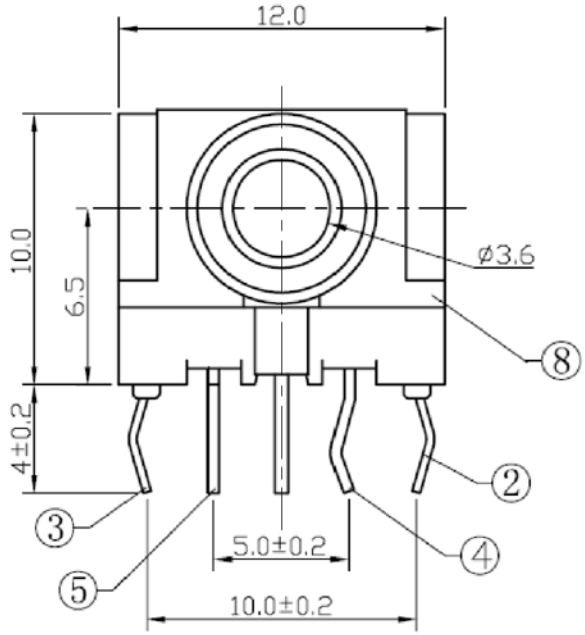


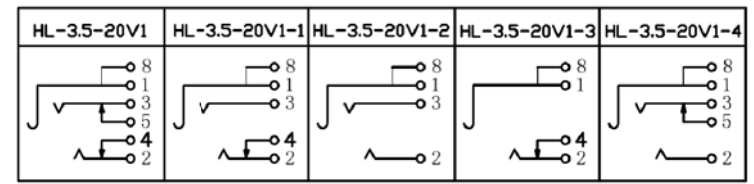
REV.	DESCRIPTION	DATE	DWN	APVD
1	PRELIMINARY	18NOV09	JC	BC



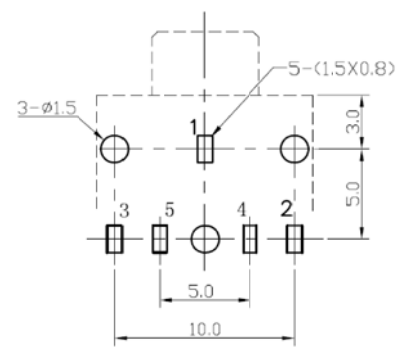
SPECIFICATION

1. Rating : DC 30V 0.5A;
2. Contact resistance: $\leq 0.03 \Omega$;
3. Insulation resistance: $\geq 100M \Omega$ (DC250V);
4. Withstand voltage: 500VAC ;
5. Insertion and extraction force: 3-20N;
6. life test: 5,000 cycles.

SCHEMATIC



**P. C. B LAYOUT
TOP VIEW**



NO.	DESCRIPTION	QTY	MATERIAL	PLATING
8	SPRING	1	SUS301	
7	COVER	1	PBT	
6	HOUSING	1	PBT	
5	5# CONTACT FOOT	1	H62 BRASS T=0.4	Sn-Plating
4	4# CONTACT FOOT	1	H62 BRASS T=0.4	Sn-Plating
3	3# CONTACT FOOT	1	PHOSPHOR BRONZE T=0.25	Sn-Plating
2	2# CONTACT FOOT	1	PHOSPHOR BRONZE T=0.3	Sn-Plating
1	1# CONTACT FOOT	1	H62 BRASS T=0.5	Sn-Plating

THL-3.5-20V1
PART NUMBER

TOLERANCES UNLESS OTHERWISE SPECIFIED: 0 PLC ± - 1 PLC ± 0.15 2 PLC ± 0.15 3 PLC ± 0.15 4 PLC ± - ANGLES ± 1.5°	DWN JOHN_CHANG 18NOV2009	HAOGUO XING YE SHARE CO.,LTD.		
	CHK MARKS_CHEN 18NOV2009			
	APVD BEST_CHANG 18NOV2009	PRODUCT SPEC		
	SEE NOTE	APPLICATION SPEC		
SEE NOTE	FINISH	SIZE	DRAWING NO	RESTRICTED TO
PROJECTION	WEIGHT - GRAMS	A3	-	-
DIMENSIONS: MM		CUSTOMER DRAWING	SCALE -	SHEET 1 OF 1
				REV 1