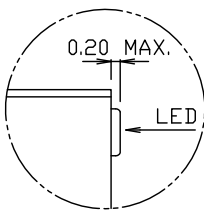
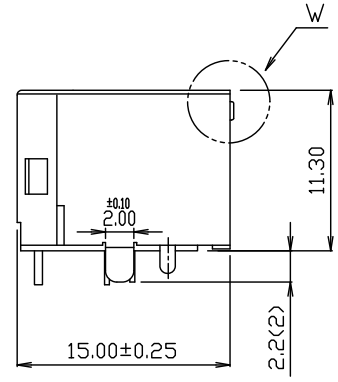


REV.	DESCRIPTION	DATE	DWN	APVD
1	PRELIMINARY	23AUG10	JC	BC

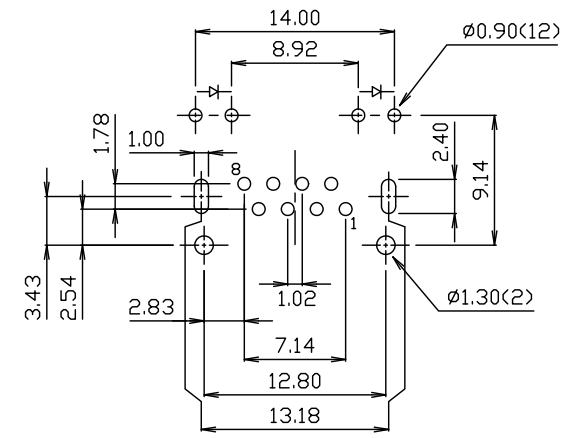
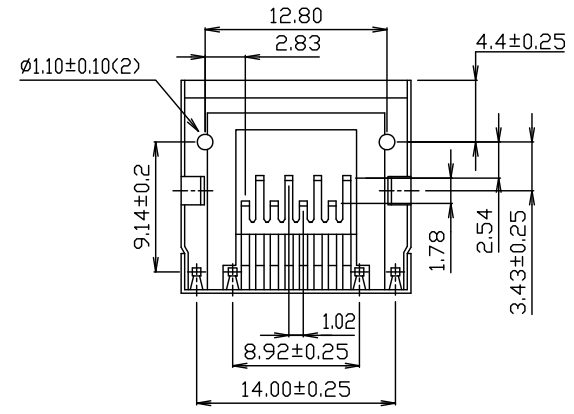
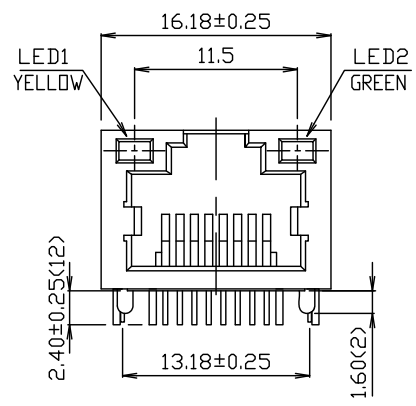
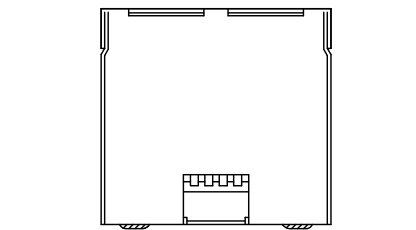
MATERIAL:

- HOUSING-DSM STANYL TE250F6 (NYLON-46)
HEAT DEFLECTION TEMP.290°
BLACK COLOR, UL94V-0
- CONTACTS-0.35mm THICK PHOS-BRONZE PLATED
WITH HARD GOLD AND GOLD FLASH IN
SOLDER AREA.
- SHIELD-0.25mm THICK COPPER ALLOY,
PLATED WITH NICKEL.

CAVITY CONFIRMS TO FCC RULES AND REGULATIONS
PART 68,SUBPART F.



DETAIL W



PCB LAYOUT
Ref.

J24-0006-01
PART NUMBER

TOLERANCES UNLESS OTHERWISE SPECIFIED: 0 PLC ± - 1 PLC ± 0.25 2 PLC ± 0.13 3 PLC ± - 4 PLC ± - ANGLES ± 3°	DWN JOHN 23AUG2010	HAOGUO XING YE SHARE CO.,LTD.			
	CHK BRIAN 23AUG2010				
	MATERIAL SEE NOTE	APVD BEST 23AUG2010	NAME		
	FINISH SEE NOTE	APPLICATION SPEC	RJ45, LED,		
PROJECTION 	WEIGHT - GRAMS	SIZE A3	DRAWING NO J24-0006	RESTRICTED TO -	
	DIMENSIONS: MM	CUSTOMER DRAWING	SCALE -	SHEET 1 OF 1	REV 1