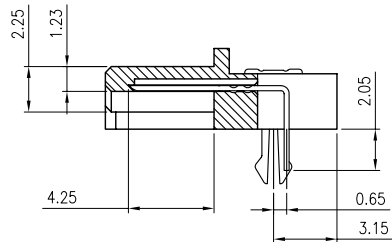


SECTION A-A



SECTION B-B

NOTE:
PRODUCTS MUST CONFORM TO JS SPEC JS-GC03143-A1.

1.MATERIAL:

HOUSING: (SEE TABLE), UL94V-0; COLOR:(SEE TABLE);
CONTACT: BRASS. T=0.25mm
BOARDLOCK :BRASS. T=0.30mm

2.FINISH:

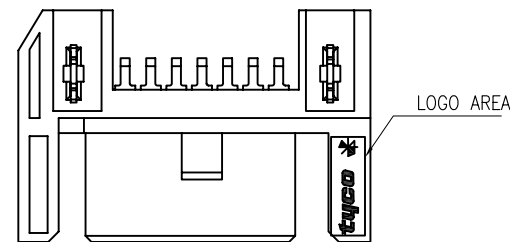
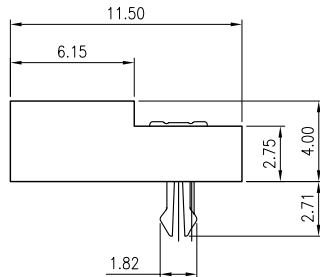
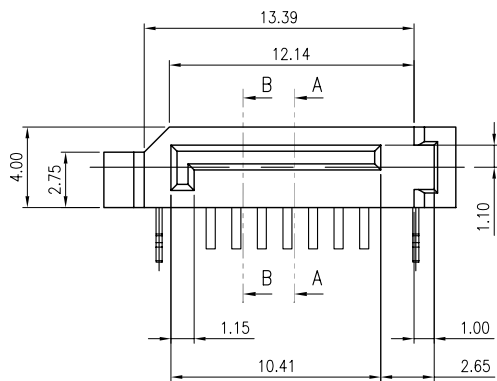
CONTACT: (SEE TABLE) GOLD PLATING ON CONTACT AREA
2.54um [100μ"] MIN. (SEE TABLE) TIN PLATING ON SOLDER TAILS
1.27um [50μ"] MIN. NICKEL UNDERPLATING OVER ALL
BOARDLOCKS:2.54um [100μ"] MIN. (SEE TABLE) TIN OVER 1.27um [50μ"] MIN., NICKEL PLATED

3.ELECTRICAL:

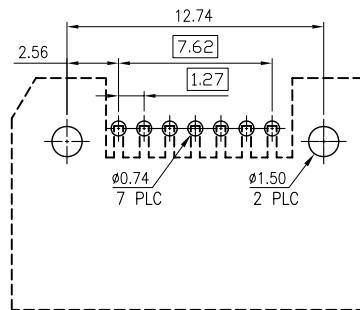
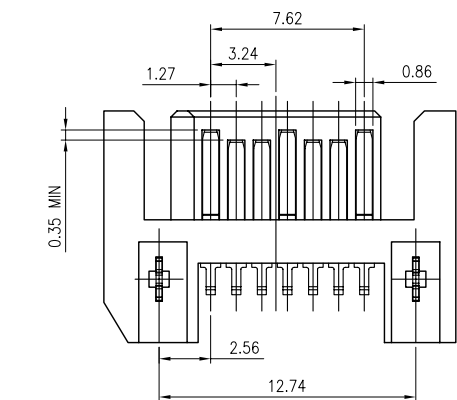
CONTACT RESISTANCE: 45 mΩ MAX.
DIELECTRIC WITHSTANDING VOLTAGE: 500V AC
CURRENT RATING: 1.5A
VOLTAGE RATING: 12V AC

4.ENVIRONMENTAL:

OPERATING TEMPERATURE: -25°C TO +85°C



WITH TYCO LOGO TYPE



RECOMMENDED PCB LAYOUT

TOLERANCE: ±0.05



YES	NO TYCO LOGO	LCP	BLACK	BRIGHT TIN	BRIGHT TIN	50μ"	-----	09-0008-10
	NO TYCO LOGO	NY6T	ORANGE(159C)	BRIGHT TIN	BRIGHT TIN	G/F	-----	09-0008-09
	WITH TYCO LOGO	LCP	BLACK	MATTE TIN	MATTE TIN	15μ"	SC3712207FB0C0R1	09-0008-08
							SC0712207FB004R0	09-0008-07
							SC0712207FB004R0	09-0008-06
							SC0712207FB0C4R0	09-0008-05
							SC0212207FB0C4R0	09-0008-04
	NO TYCO LOGO	NY6T	WHITE	BRIGHT TIN	BRIGHT TIN	G/F	SC0212207FR4C4R0	09-0008-03
			RED(193C)				SC0212207FR4C4R0	09-0008-02
			YELLOW(123C)				SC0212207FY3C4R0	09-0008-01
HalogenFree	TYCO LOGO	HOUSING	HOUSING COLOR	BOARD LOCKS	SOLDER TAIL	GOLD THICKNES	OLD PART NUMBER	NEW PART NUMBER

TOLERANCES UNLESS OTHERWISE SPECIFIED			
X.	±0.30	X."	±2"
.X	±0.25	.X.X"	±1"
.XX	±0.20		
.XXX	±0.10		

JS HAOGUO(Zhongxiang) Limited Company

Customers Drawing
TITEL: SATA 7P RIGHT ANGLE A TYPE DIP PLUG

	A2	19July13		lee	D.Z	DWN	ANDY_XIAO	Part No.		Scale	1 : 1
	A1	18DECO9		A.X	J.Y	CHKD	CIYONG_JIANG	Drawing No.	C-09-0008-	Sheet	1 of 1
ECN(DCN) NO.	REV.	DATE	DESCRIPTION	CHANGE	APVD	APVD	DAVID_ZHONG	UNIT	mm	SIZE	A4

